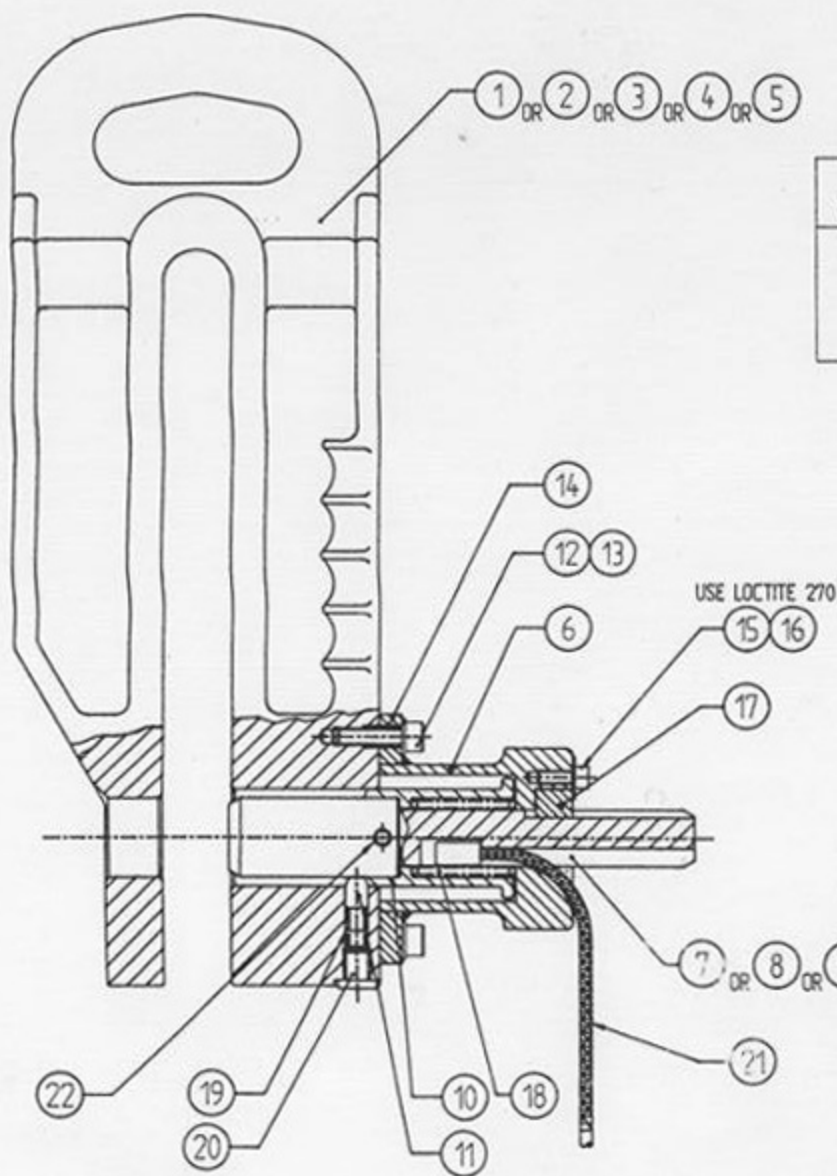


Rev	QTY	Description	Date	Iss.	Apprv
A		GUIDE KEY REPLACED GUIDE PIN/SPRING	23-6-97		PL



ASSEMBLY PART NUMBER	DESCRIPTION	S.W.L. (tonnes)	WEIGHT (Kgs)
5983A/A	150/4.0T EURO-GROUND RELEASE SHACKLE	4.0	17.5
5984A/A	150/7.5T EURO-GROUND RELEASE SHACKLE	7.5	17.5
5985A/A	150/10T EURO-GROUND RELEASE SHACKLE	10	17.5
5986A/A	250/7.5T EURO-GROUND RELEASE SHACKLE	7.5	22
5987A/A	250/10T EURO-GROUND RELEASE SHACKLE (as illustrated)	10	22

22	1	COILED PIN		8X40HBX	5914
21	1	SAFETY PULL WIRE ASSEMBLY			5930A
20	1	PLUG		M12X15	5915
19	1	DETENT SPRING			6935
18	1	MAIN SPRING			5926
17	1	GUIDE KEY			5937
16	1	PLAIN WASHER $\phi 19$ O/D	B/ZINC PLT.	M6	5936
15	1	SOCKET HEAD CAP SCREW	129	M6 X 16	623
14	4	DOWEL BUSHING	DB100 8M	13 LONG	5916
13	4	WASHER		M8	5917
12	4	SOCKET HEAD CAP SCREW		M8X30	5918
11	1	DETENT PIN			5919
10	1	SLEEVE			5931
9	1	PLUNGER - 10T			5913
8	1	PLUNGER - 7.5T			5909
7	1	PLUNGER - 4.0T			5908
6	1	TUBE ASSEMBLY			5922A/B
5	1	BODY - 250/10T SHACKLE			5907
4	1	BODY - 250/7.5T SHACKLE			5906
3	1	BODY - 150/10T SHACKLE			5905
2	1	BODY - 150/7.5T SHACKLE			5904
1	1	BODY - 150/4.0T SHACKLE			5903

Ref/No.	QTY	Part name	Material	Dimension	Part Number
Drawn at	Checked	Standard	A3	Scale	1:2
Design by	MLEE	Checked		Replaces	
				Replaced by	
				File name	GRS-017
				Date	05-09-94
				Drawing no.	GRS-017 ISSA



DAWSON
CONSTRUCTION
PLANT LTD.

EURO GROUND RELEASE
SHACKLE - ASS'Y